

ET-16DI2 EtherTRAK[®] Ethernet I/O Module

Sixnet Automation Series



▶▶▶ Ethernet I/O Module – Discrete Inputs

PRODUCT HIGHLIGHTS

- Supports DC sinking/sourcing or AC wiring
- User-configurable smart filtering
- Pulse counters with contact bounce filtering
- One high-speed counter channel to 2 KHz

PERFORMANCE SPECIFICATIONS

- 16 input channels
- Nominal input voltage 12/24 VDC/VAC
- Guaranteed ON voltage¹ 9 VDC/VAC
- Maximum input voltage 30 VDC/VAC
- Guaranteed OFF voltage² 5.0 VDC
- Guaranteed OFF current² 1.4 mA
- Input resistance 3.6K Ohms
- Nominal input current @ 24VDC 6.7 mA
- Filtered Mode ON/OFF delay (note 3) 25mS
- Filtered Mode count feature 10 Hz maximum
- Fast Mode count feature 100 Hz (2 KHz on channel 1)
- Fastest scan rate (16 channels) 2 mS⁴
- Required supply voltage 10-30 VDC (0.75 watt typical)
- Operating temperature range -30 to 70° C
- Storage temperature range -40 to 85° C
- Humidity (non-condensing) 5 to 95%

RS485 PORT FOR I/O EXPANSION

- 32 (up to 512 I/O) Max. RS485 stations
- Protocol Sixnet "I/O for Windows"
- and Modbus ASCII and RTU
- Baud rate 38,400 bps
- Up to 0.5 mile recommended distance
- Isolation (from Ethernet port) 1200 Volts RMS 1 minute

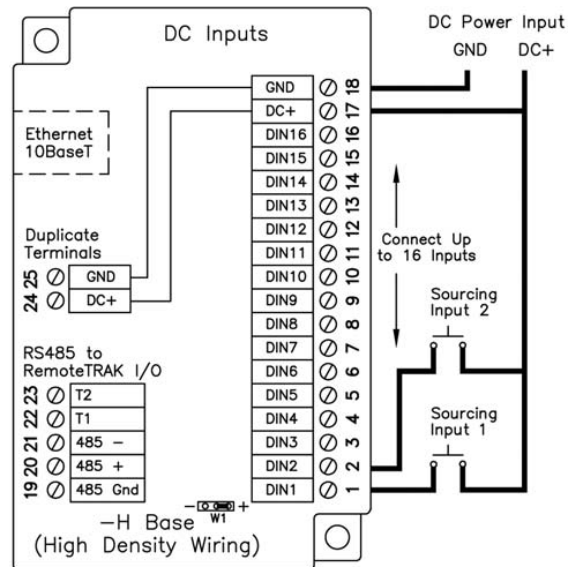
Notes:

- ¹ Minimum voltage guaranteed to turn the module ON.
- ² The maximum input current/voltage that will not switch the input from OFF to ON.
- ³ Smart logic ignores transients, power line dropouts and switch contact bounce.
- ⁴ I/O register update time does not include external communications.

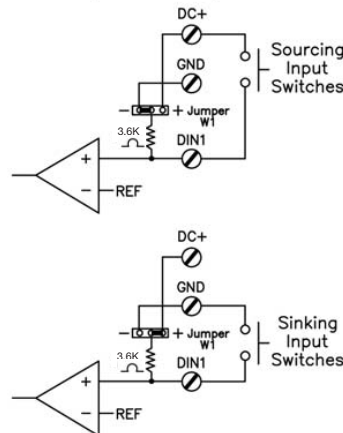
ORDERING INFORMATION

- | | |
|------------|----------------------------|
| ET-16DI2-H | 16 inputs with wiring base |
| ET-16DI2-M | Replacement module only |

All specifications are subject to change. Consult factory for latest info.



Equivalent DC Input Circuits



www.redlion.net

Connect. Monitor. Control.

Americas
sales@redlion.net

Asia-Pacific
asia@redlion.net

Europe
Middle East
Africa
europe@redlion.net

+1 (717) 767-6511

As the global experts in communication, monitoring and control for industrial automation and networking, Red Lion has been delivering innovative solutions for over forty years. Our award-winning technology enables companies worldwide to gain real-time data visibility that drives productivity. Product brands include Red Lion, N-Tron and Sixnet. With headquarters in York, Pennsylvania, the company has offices across the Americas, Asia-Pacific and Europe. For more information, please visit www.redlion.net. Red Lion is a Spectris company.

ADLD0166 090913 ©2013 Red Lion Controls